



12/2013 S300GB131S01

Our policy of constant technological upgrading means that technical specifications may be subject to change without prior notice.



S300

Innovation inspired by perfection

Sede Legale ed Amministrativa / Head Quarter
CEFLA s.c.
Via Selice Prov.le, 23/a
40026 Imola (BO) - Italy
Tel. +39 0542 653111
Fax +39 0542 653344



Fabbricatore / Manufacturer
Cefla Dental Group
Via Bicocca, 14/C - 40026 Imola (BO) - Italy
Tel. +39 0542 653441 - Fax +39 0542 653601
www.sternweber.com
sternweber@sternweber.com



STERN S300 CONTINENTAL



STERN S300 INTERNATIONAL



ATLAXIS

WIRELESS

TOUCH SCREEN

MEMORY FOAM

HYPERSPHERE

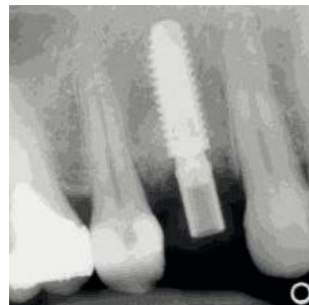


Innovation is a question of comfort

Technology is not as an end in itself. On the contrary, the true value of innovation lies in the practical, down-to-earth solutions that stem from technology. First and foremost, Stern Weber focuses its research efforts on functionality because the real goal is to create conditions that let you operate with maximum effectiveness and minimum stress.

Through your own enhanced comfort and the sensation of wellbeing you transmit to the patient, our goal is to work with you to achieve better results; when it comes to earning the trust and esteem of your patients, there is no better recipe.

Our technology is designed to ensure your success.



X-ray images can be loaded via a USB storage device for fast, easy display on the Full Touch panel.



The USB port on the Full Touch panel also lets dentists load or save their personal dental unit user settings.



The exceptional comfort that can come from innovation is encapsulated perfectly in the new interface that lets dentists control dental unit functions with a simple touch. As standard on the S300, the Smart Touch instrument control panel is divided between a touch-sensitive zone that allows user-friendly display and interaction with dental unit parameters and a more traditional keypad that controls patient chair movement and positioning. Alternatively, the latest-generation Full Touch control panel is available: this features a 5.7" glass capacitive-type touch screen that links the dentist to the on-board computer governing the entire dental unit and all its integrated devices. On the Continental version an incorporated accelerometer allows this instrument to be flipped from the horizontal to the vertical and vice versa. Both control panels are available on Continental and International models.



A database of certified contra-angles is provided, as is a wide selection of generic ratios. Parameter control and data display are optimised thanks to the outstandingly user-friendly browsing system and graphics on the new control panel. The instrument control panel can also be used to control, in addition to work parameter settings, peristaltic pump operation and flow rate.



In endodontics mode, the Full Touch software sets combined torque/speed values according to the selected file by drawing on data in preloaded library files.



Brushless micromotor i-XS4
Ultra-light and manageable, i-XS4 provides a speed range from 100 to 40,000 rpm and, with the appropriate contra-angle, can, when used for implantology work, reach torques of up to 70 Ncm.



Peristaltic pump
Thanks to incorporation of the peristaltic pump on the dentist's module, everything needed to practice implantology is comfortably within arm's reach.



With regard to the brushless micromotor and peristaltic pump, the same functions can also be accessed via the Smart Touch display.

Controlling the dental unit, personalising settings, selecting and precision-adjusting instrument parameters via the new Full Touch instrument control panel is the simplest and fastest way to bring out the full potential of an integrated treatment centre that lets you practice conservative dentistry, endodontics and surgery. Control and precision ensure each task is completed safely and, in the case of surgery or implantology, the level of interaction provided by the software covers clinical parameter settings, peristaltic pump adjustment and other functions that smooth preparation of the implant site and actual placement.



In addition to endodontic mode, the dentist can also carry out pocket cleaning in parodontic mode.



The instrument control panel allows personalised settings to be applied for each instrument: optic fibre intensity, fixed or gradual foot control speed, water, air or combined spray.



Smart Touch



SC Scalers
Ultrasound scalers suitable for supragingival prophylaxis, periodontal tasks, the preparation of small cavities and root canal cleaning techniques.



Silent Power Turbines
More powerful yet quieter than traditional turbines. LED lighting, multiple irrigation with separate nozzles with click-wheel adjustment.



Brushless micromotor
Light and compact, i-XR3 is suitable for conservative and prosthetic dentistry. The i-XR3L model also incorporates LED lighting.

Large icons and easy-to-understand browsing make interaction with software and access to control menus simple, letting the dentist explore and make full use of the outstanding potential of the S300. Comfort does not depend on the excellent user-friendliness of the new interface alone: it is also enhanced by smooth integration of instruments, software and dental unit. All systems - instruments, hygiene devices, operating lights, patient chair and cuspidor bowl - can be fully controlled via the instrument control panel.



ALL-ROUND TOTAL COMFORT

A thousand ways to perfect your integrated treatment centre

One of a kind, built to suit you. The advantage of Stern Weber dental units lies in their immense configuration flexibility. Whether instruments, systems or accessories, the S300 can incorporate the entire range of available options. And the more the integrated treatment centre suits your operating style, the greater the benefits in terms of comfort, the more fluid the workflow. In short, efficiency is a natural consequence of personalisation. Entering the Stern Weber world means defining the dental unit just the way you want it. Freedom of choice is the most effective way of creating an integrated treatment centre that falls into line with your personal work patterns and operating style, allowing you to express your skills to perfection and experience the dental unit exactly as desired.



The innovatively shaped patient chair allows medical staff to move in closer to the patient during treatment. The Trendelenburg position is reached by way of synchronised movements and the reinforced structure allows patients weighing up to 190 kg to be lifted.



Both patient chair armrests are made of painted die cast aluminium with surfaces in soft-touch



material; they can easily be rotated forwards to facilitate patient access.

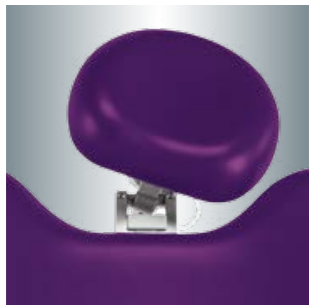


T9 Stool
The starting point for your wellbeing, the ergonomic T9 stool provides a full complement of solutions designed to aid correct posture during treatment. Numerous adjustments ensure an optimal set-up for all dentists, whatever their build.



The capacitive sensor, inserted inside the handle underneath the instrument control panel, is used to deactivate the pneumatic brake and then accurately lock the dentist's module in position.

Whatever the situation, Stern Weber never forgets that comfort plays a constant, mutual role. The patient must feel at ease while both dentist and assistant must be able to operate without physical stress or discomfort. Memory Foam padding supports patients correctly throughout the entire treatment session, resulting in enhanced comfort and relaxation. Where built on wellbeing, interpersonal relations reinforce patient trust and collaboration during treatment; that trust translates into better results and heightened patient involvement.



Atlix
With the simple press of a button the dentist can release the pneumatic mechanism and position the patient's head, gently accompanying its natural articular movement. Since it has no levers or mechanical brakes, adjusting the headrest vertically so it suits the patient's height is equally easy.



Carefully balanced instruments on the Continental version and the end-of-stroke lock system minimise traction on the dentist's wrist.



The 3-holder assistant's module, fitted on the vertically adjustable articulated arm, can be positioned at a height that best suits medical staff.



An optional add-on unit with 2 instrument holders for camera and T-LED light is also available.

Simple, precise motions, made possible by Stern Weber innovation. The second-generation Atlix headrest is one of the hallmark elements of a brand renowned for its attentiveness to the ergonomics of treatment and patient comfort. Constant research into sophisticated solutions is seen in every last detail: pantograph arm excursion is aided by two special bearings and vertical travel has been increased; the dentist's module can be positioned precisely via the pneumatic brake, released via a touch-activated sensor. Similarly, the assistant's module also features several solutions, such as the articulated arm to allow optimal instrument positioning.



As an optional function, the bowl together with the chair automatically rotate when recalling the rinse and home positions.



The independent feed tank is accessed from the outside of the unit body to make its replacement or top-up easier.



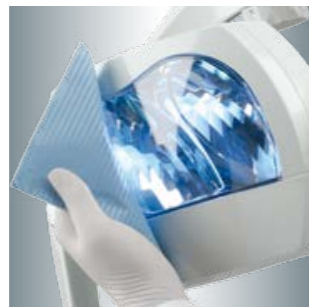
The side door provides easy access to the systems inside the unit body.

The new S300 line features a unit body designed to aid access to hygiene systems and make routine maintenance easier. Reduced overall dimensions also means more space around the patient and greater freedom of movement for medical staff. In its standby position, the cuspidor bowl contributes to overall unit body compactness by remaining outside the operating zone, preventing any interference with the assistant's workflow. The S300 combines the tangible advantages of industrial design with meticulous styling.



Venus Plus – L LED

- Light intensity from 3,000 to 50,000 Lux
- Colour temperature 5,000 K
- Low-thermal emission LED light sources
- Silent running because there is no forced ventilation
- LEDs guaranteed to work 50,000 hours



Hermetically sealed front screen. This makes external cleaning easier and stops any dust or spray fluid getting inside the dish.



Available in both Continental and International versions, the additional sixth instrument unit is fitted on the dentist's module side and can house a camera or curing light.



Syringe
Available with 2 ergonomic solutions, straight or angled tip; the 6-function syringe can be supplied with or without optic fibres.

Visual comfort essentially depends on two aspects of light: its brightness and quality. That's why Stern Weber offers a choice of two operating lights with different technologies: halogen or LED lighting. On both systems ergonomic aspects regarding optical performance and positioning of the light, which can be moved on three axes, are honed to perfection. A broad illuminated spot and homogeneous light distribution play a key role in preventing situations that can lead to severe eye strain. While brightness on the Venus Plus is adjusted via a manual potentiometer, on the optional dual-reflector LED operating light it is regulated by a no-touch infrared sensor.



Power Pedal Foot Control

Available in wireless versions powered by lithium batteries, multi-function and pressure-



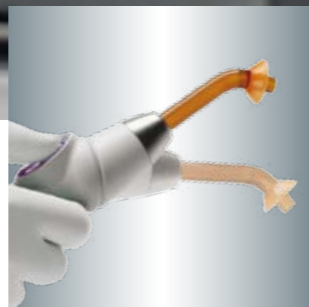
Multi-function Foot Control

operated foot controls can also be cable-connected to the dental



Pressure-operated Foot Control

unit for either control or recharging purposes.



T-LED

Usable in either a straight or angled position thanks to 180° rotation around the central pivot, the patented T-LED curing light is perfect for polymerisation and bonding tasks. Each of the 6 programmes has been fine-tuned to prevent the phenomena of compound shrinkage (anomalous hardening and volume loss).

Control of dental unit and individual instruments needs to be smooth and instinctive. Stern Weber has developed foot controls with three different ergonomic solutions, two of which are available in a wireless configuration to maximise freedom of movement during treatment. In addition to the improved hand hygiene that comes from transferring functions to the foot control, Stern Weber foot controls offer numerous dental unit system management possibilities: these sophisticated units allow the dentist to control patient chair movement, the Chip Air and Chip Water functions and, with the instrument extracted, invert micromotor rotation or switch on the operating light. Moreover, in surgery mode the peristaltic pump can be opened and closed.

MONITOR LED 19"

SENSOR

X-RAY UNIT

MACRO

WIRELESS

Show and explain

Thanks to an integrated system of multimedia and X-ray diagnosis devices, the Stern Weber integrated treatment centre becomes the hub of the dentist's workflow, letting him express his hard-won skills in full and heighten the patient's confidence and trust.

The convenience of a system that is managed via incorporated controls and software and installed directly on the dental unit means shortened diagnostic times, faster results, readily-available data and enhanced treatment effectiveness.



C-U2
Can be used without any need for manual adjustment thanks to the micro-processor inside the handpiece. Vibration-free freeze frame images can be acquired via the foot control or the touch-sensitive area on the handpiece.



C-U2 PRO
PRO optics provides images via three different focal adjustments: Macro, Intra-oral and Extra-oral. Excellent sharpness is ensured by Progressive Scan technology.



19" LED Monitor
Certified as per CE 93/42, the 16:9 flat screen tilt-adjustable monitor can be cable-connected to a PC. For the touch-screen version the optional dual-articulation support arm is recommended to optimise screen positioning.

A multimedia system incorporated directly on the dental unit allows simple, immediate communication. Illustrating the outcome of an examination helps the patient understand the need to proceed with treatment; seeing the final results is a source of patient satisfaction and trust.

The best way to engage in effective communication, with the patient still on the chair, is via the monitor: the large flat LED screen provides pin-sharp images with outstanding levels of contrast and brightness. On the touch-screen version, the monitor can also be used to manage images acquired via the incorporated camera or, in the case of X-ray, via the digital sensor.



Zen-X
Digital sensor with three-layer technology and CMOS receptor available in 2 sizes. Built to last and featuring rounded edges, the sensor can be positioned in the patient's mouth easily and comfortably. Simple to remove, it can be transferred onto other device-compatible machines.



RXDC HyperSphere
Designed for digital X-ray imaging, the RXDC features a focal spot of just 0.4 mm which, together with the X-ray beam parallelism that stems from 30 cm collimation, ensures images of outstanding quality.



HyperSphere Technology
Gentle pressure on touch-sensitive areas on the front section releases the electromechanical tube head lock. The X-ray unit is then free to rotate around a ball joint, allowing easy repositioning: to lock the tube head in its new position all the dentist has to do is release the touch-sensitive areas.



The handheld wireless control device features 4 keys to adjust exposure and another key to take the X-ray. The RXDC automatically calculates the correct exposure on the basis of the selected anatomic area.

Consisting of a DC X-ray unit with wireless control and a digital sensor housed on the dentist's module, this comprehensive integrated system eliminates all the inconveniences associated with separate installation of diagnostic equipment. The multimedia monitor displays the outcome of X-ray examinations and, where there is a cable connection with an external PC, allows direct data control. This solution combines the latest generation of cutting-edge diagnostic tools with the practicality of having a complete system on board the dental unit.

PERFECTION LIES IN THE DETAILS

DUGLU

SANASPRAY

BIOSTER

Peroxy Ag⁺

IWFC

2:1

Defending hygiene: a choice, not just a duty

No-one can deny the importance of hygiene. That's why Stern Weber has developed an extensive array of advanced systems that allow treatment to be performed in complete safety, ensuring peace of mind for patients, staff and, of course, you. Furthermore, when designing the dental unit, Stern Weber focussed on minimising the risks of cross-contamination by incorporating removable parts that are easily sanitised and by transferring a series of essential commands to the foot control unit.

In every detail, right down to the choice of materials for each component, the S300 offers a comprehensive range of sophisticated devices that provide the appropriate degree of protection.



W.H.E. (Water Hygienisation Equipment)
 Thanks to utilisation of **Peroxy Ag+**, the continuous disinfection system, which features mains water-dental unit air gap separation, guarantees the microbiological quality of the water in the water circuits. The system complies with European standards and is DVGW-certified.

Peroxy Ag+
 At the concentration recommended by Stern Weber, this hydrogen peroxide and silver ion-based disinfectant is effective against all species of water-borne contaminant, including bacteria such as *Legionella*, against which 10 minutes' contact will suffice.



Automatic Chip Air

This system, featured as standard, automatically emits an air jet when you stop using dynamic instruments so as to clean any residual liquids or solids from the handpiece.

SANASPRAY

Distilled water can be used by bypassing the mains water. To carry out rapid circuit sanitisation a second tank is available. Given its tried and tested effectiveness, the use of **Peroxy Ag+** disinfectant is recommended.

A.C.V.S.

Automatic system that carries out suction system sanitisation cycles between one patient and another.

The double suction filters fit flush with the unit body. Extensive filtration surface area reduces emptying frequency. Automatic and independent selection of cannulae is available.

Stern Weber's continuous research into integrated hygiene systems has demonstrated the effectiveness of combining specific disinfection systems such as **W.H.E.** and **BIOSTER**. On the one hand, the application of a continuous disinfection system combined with air gap separation provides constant defence thanks to the bacteriostatic effect of **Peroxy Ag+**; on the other, the automatic **BIOSTER** device carries out the customary end-of-work disinfection tasks, executing programmable cycles to treat the spray water circuit. The **I.W.F.C.** device, incorporated in the **BIOSTER** system or available separately, ensures water circuits are kept clean after a period of machine idleness. The effectiveness of Stern Weber-developed systems has been documented in several scientific treatises published in the specialised press.

Orrù et al. - Evaluation of Antimicrobial - Antibiofilm Activity of a Hydrogen Peroxide Decontaminating System used in Dental Unit Water Lines - The Open Dentistry Journal, 2010; 4: 140-146
Orrù et al. - Valutazione dell'attività antimicrobica di un sistema decontaminante a base di perossido d'idrogeno. Risultati in vitro e su riunito odontoiatrico - Il Dentista Moderno 2006; dicembre: 60-71



In addition to the active system, dental unit design also features numerous removable elements such as cuspidor bowl and upholstery, plus surfaces that are



easily sanitised. The instrument holder panel is removable and the soft, silicon instrument mat is both removable and autoclavable.



Other parts able to be sterilised in an autoclave include the Venus Plus-L-LED operating light handles and the stainless steel tray holder.



The slide-wheel housing smoothes removal and replacement of the suction cannulae; it can easily be removed for disinfection and cleaning purposes. The cannulae terminals can be removed and autoclaved.



Located on the upper side, the small flap provides access for topping up the BIOSTER and W.H.E. system with hydrogen peroxide.



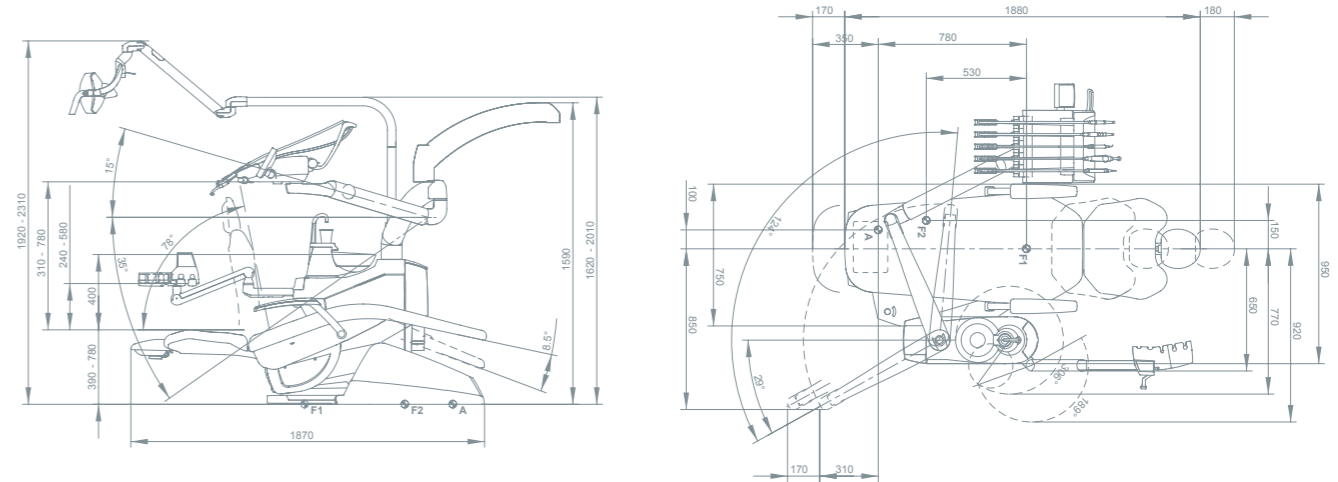
Disposable covers for dentist's and assistant's control panels. On the Full Touch version a special key temporarily deactivates the touch-sensitive screen to allow cleaning without interfering with the controls.

CONFIGURATIONS AND COLOURS

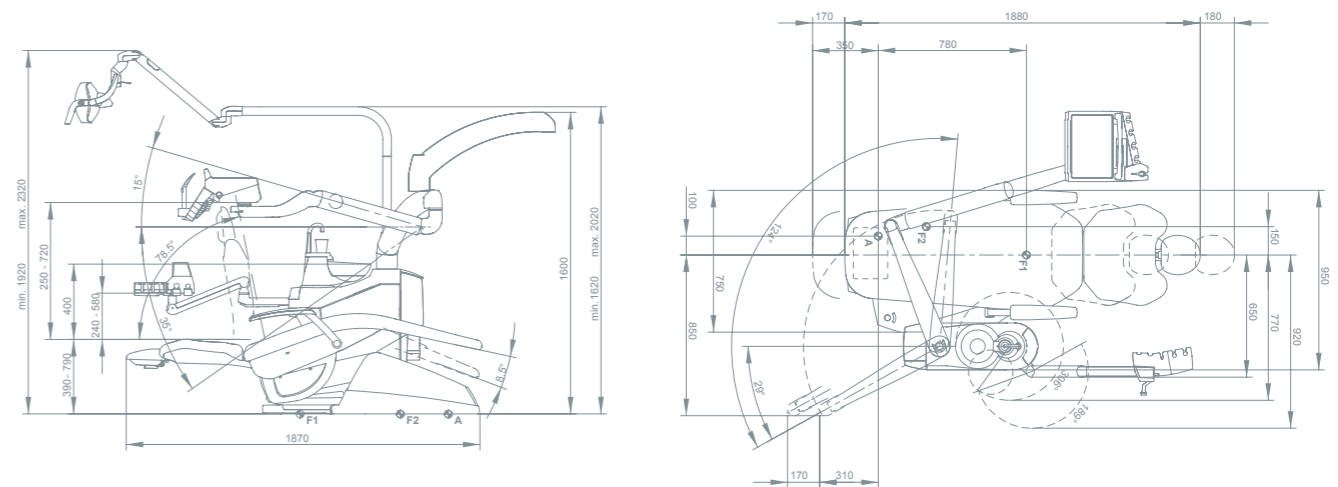
S300	INTERNATIONAL	CONTINENTAL
HYGIENE SYSTEMS		
BIOSTER	*	*
A.C.V.S.	*	*
SANASPRAY	*	*
W.H.E.	*	*
I.W.F.C.	*	*
DENTIST'S MODULE		
Full Touch display	*	*
Micromotor i-XR3 L with f.o. (1,000 – 40,000 rpm)	●	●
Micromotor i-XS4 with f.o. (100 – 40,000 rpm)	*	*
Peristaltic pump module	*	*
6-way syringe with f.o.	*	*
Sixth instrument	*	*
X-ray viewer for panoramic X-rays	*	-
Integrated sensor	*	*
UNIT BODY		
Glass cuspidor bow	●	●
Ceramic cuspidor bowl	*	*
Cuspidor bowl drive system	*	*
Cup water heater	●	●
Spray heating	*	*
Independent cannulae selection	●	●
Suction stop device on chair base	●	●
Multimedia applications wiring	●	●
Transthoracic tray holder	*	-
Assistant's tray holder	*	*
Venus Plus-L LED operating light	*	*
Venus Plus operating light	●	●
PATIENT CHAIR		
Atlaxis headrest	*	*
Mobile, removable right armrest	*	*
Left armrest	●	●
Child's cushion	*	*
Multi-function foot-control	●	●
Pressure-operated foot control	*	*
Power Pedal foot control	*	*
Multi-function foot-control (wireless)	*	*
Pressure-operated foot control (wireless)	*	*
Full seat cover for patient chair	*	*

● as standard * optional - not available

CONTINENTAL



INTERNATIONAL



Dimensions are quoted in millimetres.

