



12/2013 S200GB131500
Our policy of constant technological upgrading means that technical specifications may be subject to change without prior notice.



S200

Reliability is a building block for evolution

Sede Legale ed Amministrativa / Head Quarter
CEFLA s.c.
Via Selice Prov.le, 23/a
40026 Imola (BO) - Italy
Tel. +39 0542 653111
Fax +39 0542 653344



Fabbricatore / Manufacturer
Cefla Dental Group
Via Bicocca, 14/C - 40026 Imola (BO) - Italy
Tel. +39 0542 653441 - Fax +39 0542 653601
www.sternweber.com
sternweber@sternweber.com



STERN S200 CONTINENTAL





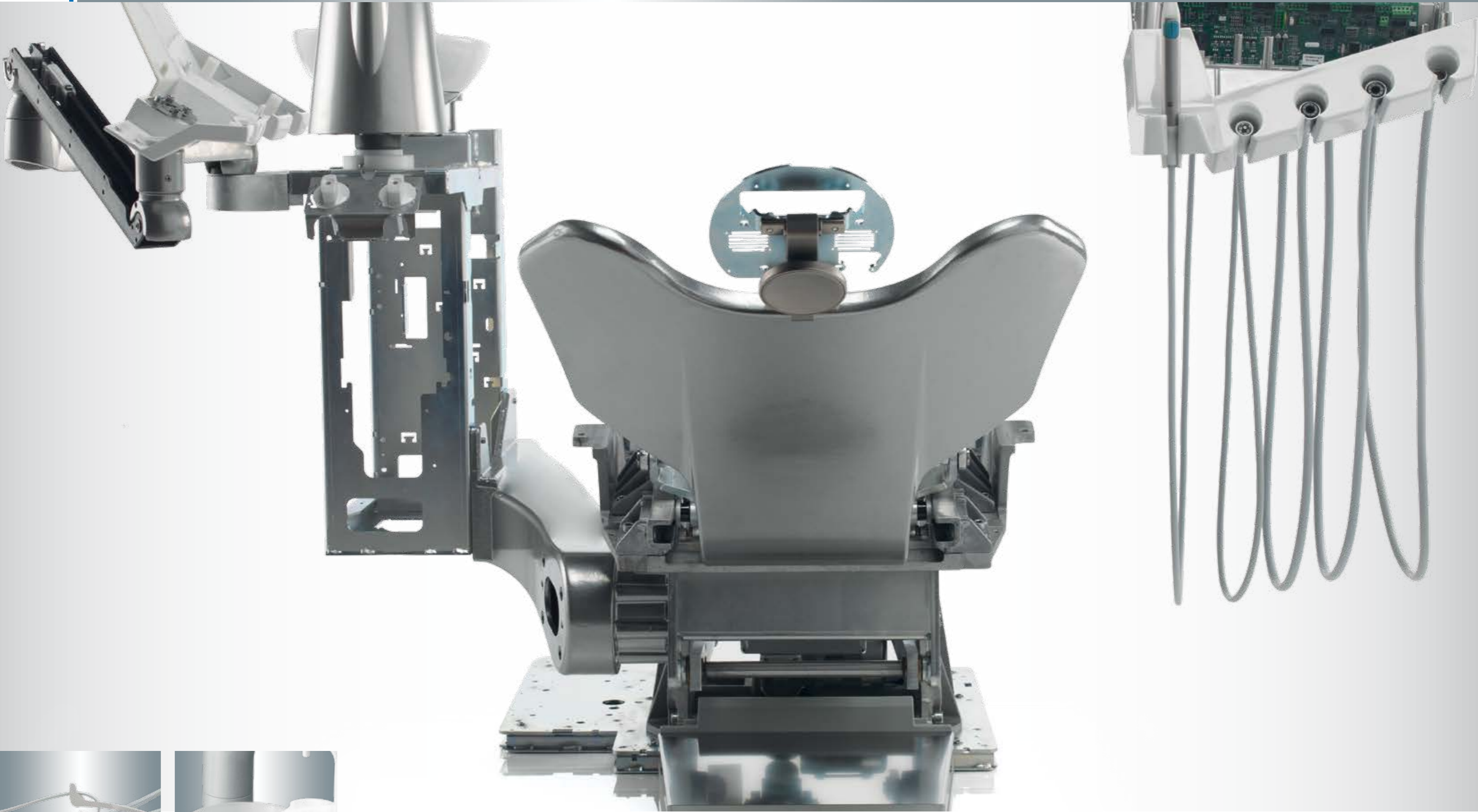


EVOLVE THE WAY YOU WANT

The wider the choice, the greater the opportunities

The heart of every Stern Weber dental unit is the result of over 50 years of research and collaboration with prominent dental professionals from around the world. Based on the foundations of lifelong reliability, each step in product evolution has transformed technology into increasingly sought-after benefits in terms of performance, ergonomics and functionality.

The beauty of the latest S200 treatment centre lies in the vast potential it offers. Whatever your requirements, the starting point is a rock-solid unit designed for use, whereas the opportunities to personalise the equipment reach far beyond customary standards and bring you the latest innovations created by Stern Weber.



Instrument recall levers are made of nylon and tubing has 900 mm extension.



The velvet-finish tempered glass cuspidor bowl is also available in ceramic.

The best way to ensure a rewarding future is to start from a solid basis. All structural elements and every key component in a Stern Weber treatment centre has been allocated a specific material, selected to enhance resistance and durability. Aluminium alloy castings combine mechanical strength with lightweight stability, a key feature of the reinforced patient chair which lifts up to 190 kg. Physical and chemical resistance are ensured thanks to appropriate use of special glass, ceramic, nylon and plastics, and each unit undergoes a comprehensive test, documented during working scenario simulations.



The assistant's module can be fixed via a simple single arm, a double-jointed arm or the vertically adjustable arm.



The assistant's module can be fitted with an optional extension providing housing for camera and curing light.



As an alternative to the standard mechanical lock on the instrument module arm, an optional pneumatic device can be fitted with conveniently located, push-button activation.

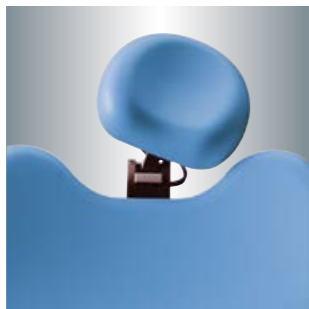
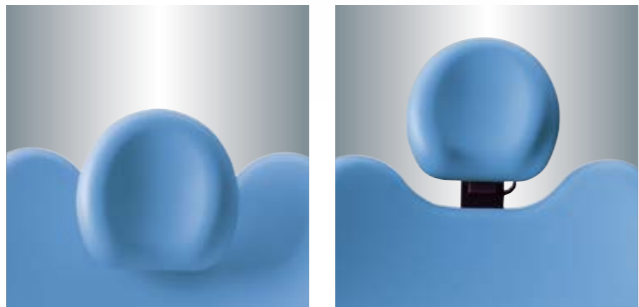


The cuspidor unit rotates up to 270° and can be fitted with an optional motor-driven function.



Both patient chair armrests are made of painted die cast aluminium with surfaces in soft-touch material; they can easily be rotated forwards to facilitate patient access.

Designed to fit into your routine, each aspect of the treatment centre is conceived to help improve workflow and significantly reduce physical fatigue connected with incorrect posture, both for dentist and assistant staff. Patient chair shaping enables easy access to the operating zone and the excellent scope of the instrument module, mounted either on the standard arm or a shorter 500 mm version, allows for outstanding versatility whether you are assisted or working alone. Further features include simple foot-controlled deactivation and reactivation of the suction cannulae, instrument tubing with quick-couplings and a choice of three types of module arms on the assistant's side.



Atlasis
As an alternative to the standard Universal headrest, the pneumatic Atlasis headrest can be positioned using just one hand. Without mechanical levers or brakes, the push-button release allows for fast, precise adjustments which respect the anatomy of the neck joints. Vertical extension is enabled via the support rod.



Atlasis



Universal



Memory Foam
Optional Memory Foam padding ensures greater patient comfort and relaxation. Available in 7 colours.



T9 Stool
An ergonomic stool for both dentist and assistant. Designed to suit all builds, it features adjustable tilt and height plus good lumbar support.

Stern Weber dedicates the utmost attention to the comfort factor. When a patient feels at ease your job is much simpler, workflow becomes more efficient and a patient's assessment of treatment outcome is likely to improve. In addition to the design features which create comfortable working conditions for you and your staff, S200 can be equipped with premium quality accessories to enhance the patient experience in every possible way.



The ergonomically designed International module integrates both types of control panel and can be fitted with an optional panoramic X-ray viewer.

The LCD control panel enables precision adjustments of the brushless micromotor, visualisation of spray status, independent supply bottle level and LED lighting intensity selection, and allows for the integration of Stern Weber's BIOSTER S disinfection device.

Creating the ideal conditions for efficiency is the guiding principle for the range of control units available on Stern Weber treatment centres. As standard configuration, S200 is equipped with a highly intuitive 3-digit display panel which allows for instrument speed and power adjustments. This unit also incorporates a rear-lit X-ray viewer.

The optional LCD control panel, with easy-to-read icons, provides comprehensive data regarding instrument parameters and dental unit operating status, as well as additional keys for semi-automatic hygiene devices and all the customary keys for patient chair movements, lighting and other functions.



- Venus Plus - L LED**
- Light intensity from 3,000 to 50,000 Lux
 - Adjustment via potentiometer or no-touch sensor
 - Colour temperature: 5,000 K
 - 3-axis rotation
 - Low-thermal emission LED light sources
 - LEDs guaranteed to work 50,000 hours



- Venus Plus**
- Light intensity from 8,000 to 35,000 Lux
 - Potentiometer and soft-start device
 - Colour temperature: 4,900 K
 - 3-axis rotation



- Venus (standard feature)**
- Light intensity: 8,000 / 22,500 Lux
 - Colour temperature: 4,900 K
 - 2-axis rotation



Power Pedal Foot Control

Foot controls allow users to operate the Chip Air and Chip Water functions that trigger an air or water jet to the instrument.



Pressure-operated Foot Control

With the instrument extracted micromotor rotation can be inverted and the operating light



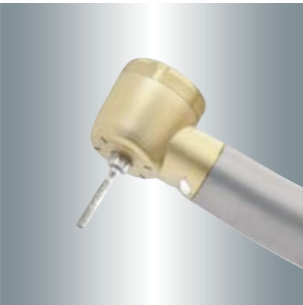
Multi-function Foot Control

switched on. In surgery mode it's also possible to open and close the peristaltic pump.

What adds extraordinary value to the S200 unit is the wide-ranging availability of high-tech accessories which you can select to customise your ideal treatment centre. Over and above the ergonomic set-up, fourteen upholstery colourings, the choice of up to five additional hygiene systems, two control panels and Stern Weber instruments, you can opt for one of three different operating lights and five foot control units.



SC Scalers
Indicated for supragingival prophylaxis tasks of the periodontal type and for the preparation of small cavities and in endodontic root canal cleaning techniques. Power levels are shown on the display.



Silent Power Turbines
Powerful yet particularly silent instruments for multiple irrigation with separate nozzles, LED lighting and button-operated release for bur changeover.



i-XR3 / i-XR3L
Brushless micromotor with minimal maintenance requirements, cold-disinfectable, suitable for conservative and prosthetic dentistry. Optional LED lighting available with the 3L version.

- Torque up to 3 Ncm
- Speed range from 1,000 to 40,000 rpm
- Dimensions: Ø22 x 35.1 mm
- Weight: 82 g



On both versions (Continental and International), the dentist's module can be fitted with an optional sixth instrument: camera or curing light.



Tubing on both dentist's and assistant's modules can easily be replaced via the quick couplings.



T-LED
Exclusive patented curing light with ergonomic 180° swivel-grip and 6 programmes for polymerisation and bonding tasks. Depending on the programme, delivered energy ranges from 11,250 mJ to 36,000 mJ.



An array of advanced instruments designed by Stern Weber, fully integrated with the treatment centre's electronics and control units, is an option which can deliver the performance you need to confidently handle all aspects of conservative and prosthetic dentistry. Whichever configuration you choose for the dentist's module, you are sure to benefit immediately from user-friendly controls, top performance levels and an ergonomic design for each handpiece.



RXDC HyperSphere
DC X-ray unit with integrated 30 cm collimation, designed for digital radiology. Provides pin-sharp images thanks to a focal spot of just 0.4 mm.



A spherical ball-joint and a lock/release mechanism activated by 2 touch-sensitive areas on the tube head ensure that positioning is both fast and precise.



The handheld wireless control device features 4 keys to adjust exposure and another key to take the X-ray. The RXDC automatically calculates the correct exposure on the basis of the selected anatomic area.



Zen-X
X-ray sensor integrated on the dentist's module. Well-built, ergonomic and available in two sizes, contains a CMOS sensor for high resolution images.



The major advantage of unit-integrated radio-diagnostics is speed and productivity. Immediate answers make treatment sessions efficient and conclusive. Cutting-edge equipment and the unrivalled user-friendliness simply transform S200 into a high-tech, high-performance treatment centre. Consisting of an X-ray unit with wireless control, digital sensor and medical-grade LED monitor, the onboard system eliminates all the inconveniences associated with separate equipment installation.



C-U2
Excellent brightness, no manual adjustment required, vibration-free freeze frame images. All thanks to the microprocessor incorporated in the handpiece and Progressive Scan technology.



C-U2 PRO
Three different focal adjustments: Macro, Intra-oral and Extra-oral. An ergonomic, versatile digital camera designed to meet all your image-based communication needs.



19" LED Monitor
CE 93/42 certified, the 16:9 monitor comes complete with a lead for connection to the PC. LED light sources ensure outstanding contrast and brightness. A touch-screen version is also available.



For the touch-screen version the optional double-articulated arm is recommended to move the screen in closer or further away from the operating zone. The screen is also tilt-adjustable.

Gaining trust is based around a person-to-person relationship and the Stern Weber multimedia system is the fastest way to explain treatment, illustrate results and reassure your patients. Once your patient communication is supported by practical multimedia technology, you will discover the advantages of each single integrated device: one of two digital cameras and a 19" flat screen monitor with LED technology.

W.H.E. (Water Hygienisation Equipment)

A combination of a continuous disinfection system and a device that ensures an air gap between the mains water circuit and dental unit water circuits. The microbiological quality of the water inside the dental unit is guaranteed by utilisation of **Peroxy Ag+**, a disinfectant even more effective than hydrogen peroxide. At the concentration recommended by Stern Weber, this substance acts effectively against all species of water-borne contaminants such as bacteria, including Legionella, for which just 10 minutes of contact is sufficient.



Automatic Chip Air
This system, featured as standard, automatically emits an air jet when you stop using dynamic instruments so as to clean any residual liquids or solids from the handpiece.



SANASPRAY S
Distilled water can be used by bypassing the mains water. To carry out rapid circuit sanitisation a second tank is available. Given its tried and tested effectiveness, the use of **Peroxy Ag+** disinfectant is recommended.



BIOSTER S
Available only in the presence of the LCD control panel, this semi-automatic system draws liquid disinfectant from the SANASPRAY bottle, applied in place of the independent supply bottle, and runs spray circuit disinfection cycles. The **I.W.F.C.** flushing device, available regardless of control panel type, ensures effective water circuit cleaning after a period of machine idleness.



A.C.V.S.
Automatic system for suction system sanitisation cycles between patients. Extensive filtration surface area on the easily accessed double filters ensures maximum efficiency and reduces emptying frequency. Independent filter selection is an optional feature.



Dentist's and assistant's module feature disposable covers.



Regular maintenance is made easy thanks to easy access into the unit body.



The rotating tray-holder is made of stainless steel and can be removed for sterilisation.



The rotating cuspidor bowl can be dismantled for sanitisation purposes.



Opening the unit body door gives immediate access for topping up the reservoir.



Patient chair padding is removable, as are many other elements.



The instrument holder panel is removable and the soft, silicon instrument mat is both removable and autoclavable.



Removable holder guides facilitate the extraction and replacement of the suction cannulae. Cannulae terminals are removable and autoclavable.

When you opt for a Stern Weber treatment centre, you can personalise most aspects exactly as you wish. This is particularly true when selecting from a vast array of hygiene solutions which ensure you and your patients are protected in the best possible way. And it is even more true in the case of the S200 unit. All components, large and small, are designed to minimise risks of contamination. Surface finishing, special plastics and autoclavable materials are part of an all-inclusive passive hygiene concept. Active devices and easy-to-use, scientifically proven sanitisation procedures can be chosen according to specific requirements. What you benefit from, above all, is Stern Weber's yearlong experience in the field.

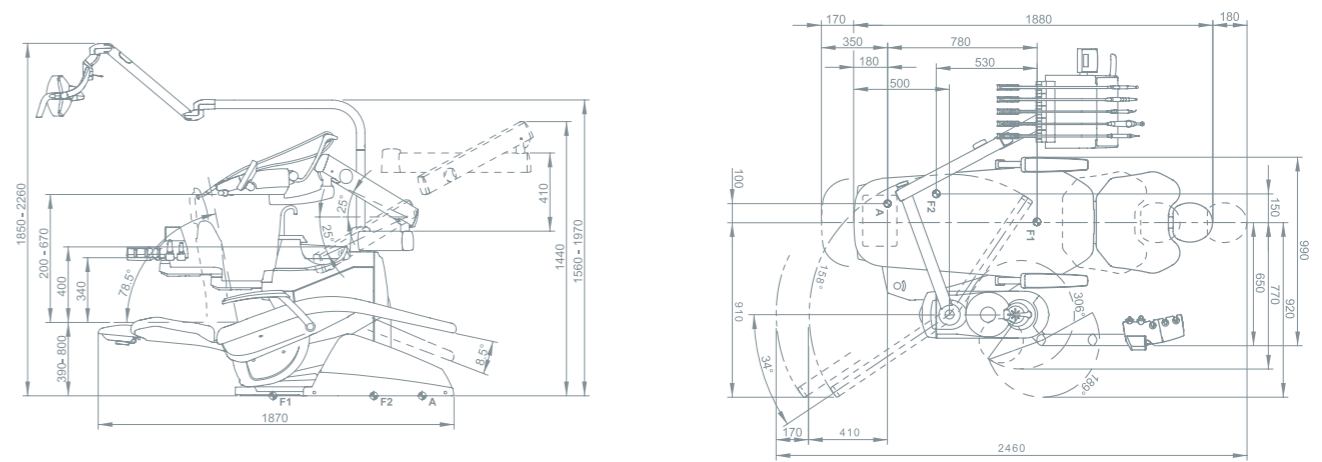
Orrù et al. - Evaluation of Antimicrobial - Antibiofilm Activity of a Hydrogen Peroxide Decontaminating System used in Dental Unit Water Lines - The Open Dentistry Journal, 2010; 4: 140-146
Orrù et al. - Valutazione dell'attività antimicrobica di un sistema decontaminante a base di perossido d'idrogeno. Risultati in vitro e su riunito odontoiatrico - Il Dentista Moderno 2006; dicembre: 60-71

CONFIGURATIONS AND COLOURS

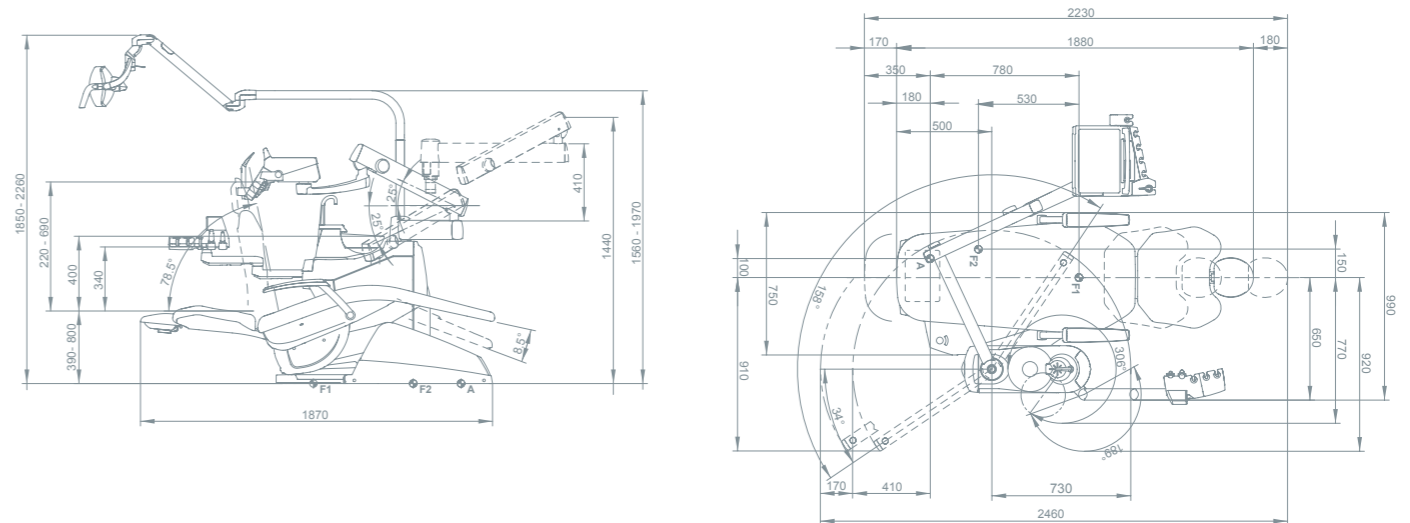
S200	INTERNATIONAL	CONTINENTAL
HYGIENE SYSTEMS		
BIOSTER S - available only when the dentist's module is fitted with the LCD control panel	*	*
A.C.V.S.	*	*
SANASPRAY S	*	*
W.H.E.	*	*
I.W.F.C.	*	*
DENTIST'S MODULE		
Control panel with 3 DIGIT display	●	●
Control panel with LCD display	*	*
Micromotor i-XR3 (1,000 – 40,000 rpm)	●	●
Micromotor i-XR3L with f.o. (1,000 – 40,000 rpm)	*	*
Midwest module with f.o.	●	●
SC Scalers (with or without f.o.)	*	*
6-way syringe	*	*
Sixth instrument	*	*
X-ray viewer for panoramic X-rays	*	-
Integrated X-ray sensor	*	*
UNIT BODY		
Glass cuspidor bowl	●	●
Ceramic cuspidor bowl	*	*
Cuspidor bowl drive	*	*
Cup water heater	*	*
Spray heating	*	*
Independent cannulae selection	*	*
Suction stop device on chair base	●	●
Multimedia applications wiring	*	*
Assistant's tray-holder	*	*
Venus Plus-L LED operating light	*	*
Venus Plus operating light	*	*
Venus operating light	●	●
PATIENT CHAIR		
Atlaxis headrest	*	*
Mobile, removable right armrest	*	*
Left armrest	●	●
Child's cushion	*	*
Multi-function foot control	●	●
Pressure-operated foot control	*	*
Power Pedal foot control	*	*
Multi-function (wireless) foot control	*	*
Pressure-operated foot control (wireless)	*	*
Full seat cover for patient chair	*	*

● as standard * optional - unavailable

CONTINENTAL



INTERNATIONAL



Dimensions are quoted in millimetres.

